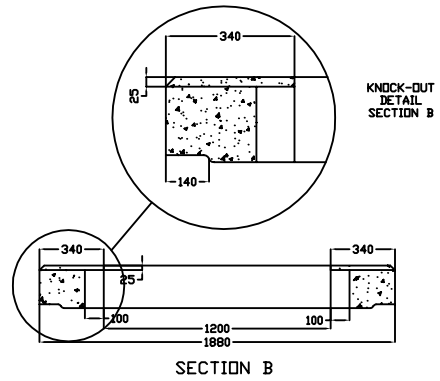
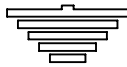


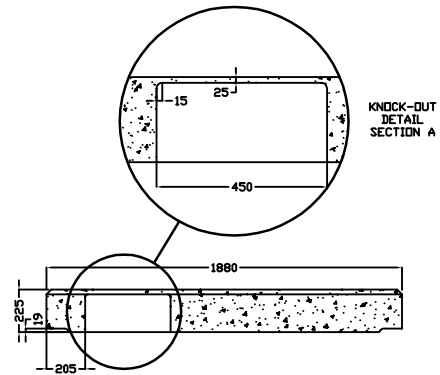
SECTION C TYPICAL

NOTES:

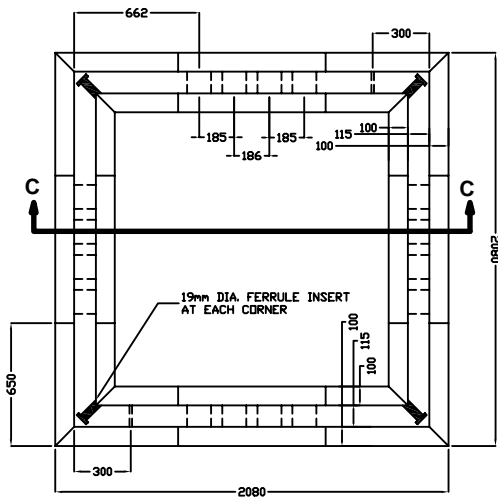
1. HOLE FOR GROUND WIRE TO BE LABELED WITH GROUND SYMBOL USING GREEN PAINT. SYMBOL TO MEASURE 150 X 150. SAMPLE:
2. USI-BASE E-10A & PAD E-11A MEET THIS SPECIFICATION.



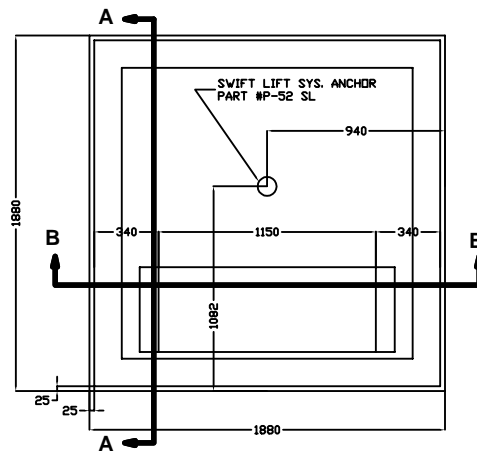
SECTION B



SECTION A



BASE (PLAN VIEW)



PAD (PLAN VIEW)

	OTTAWA RIVER POWER CORPORATION		
	3 PHASE TRANSFORMER BASE (PAD & FOUNDATION) FABRICATION DETAIL, 150kVA - 1500kVA		
DWN ALEX REAVIE	DWG NO.	SDUG002	REV 0
APP. DOUG FEE P. ENG.	SCALE	1:40	SHEET
DATE MAY 26, 2006			