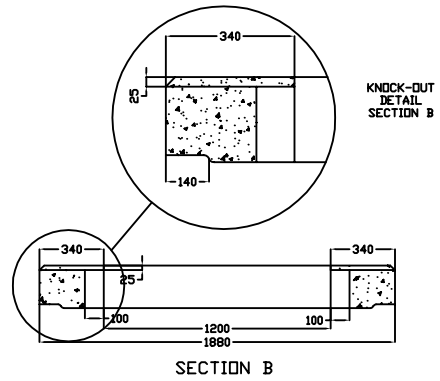
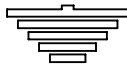


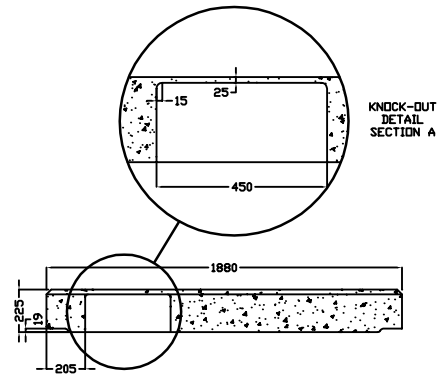
SECTION C TYPICAL

NOTES:

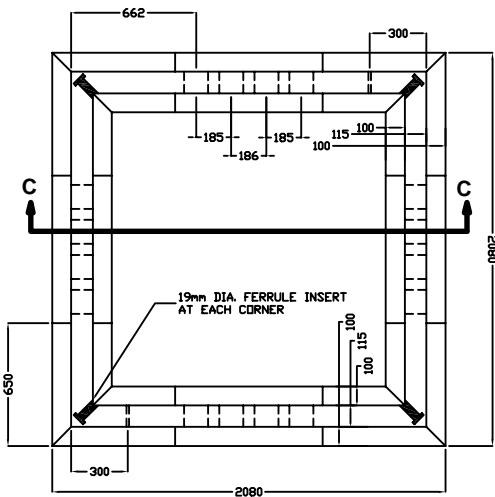
1. HOLE FOR GROUND WIRE TO BE LABELED WITH GROUND SYMBOL USING GREEN PAINT. SYMBOL TO MEASURE 150 X 150. SAMPLE:
2. USI-BASE E-10A & PAD E-11A MEET THIS SPECIFICATION.



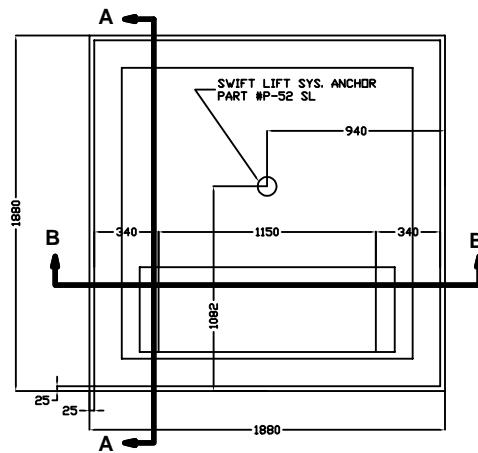
SECTION B



SECTION A



BASE (PLAN VIEW)



PAD (PLAN VIEW)



OTTAWA RIVER POWER CORPORATION

3 PHASE TRANSFORMER BASE (PAD & FOUNDATION)
FABRICATION DETAIL, 150kVA - 1500kVA

DWN ALEX REAVIE

APP. DOUG FEE P. ENG.

DATE MAY 26, 2006

DWG NO. SDUG002

SCALE 1:40

REV 0

SHEET